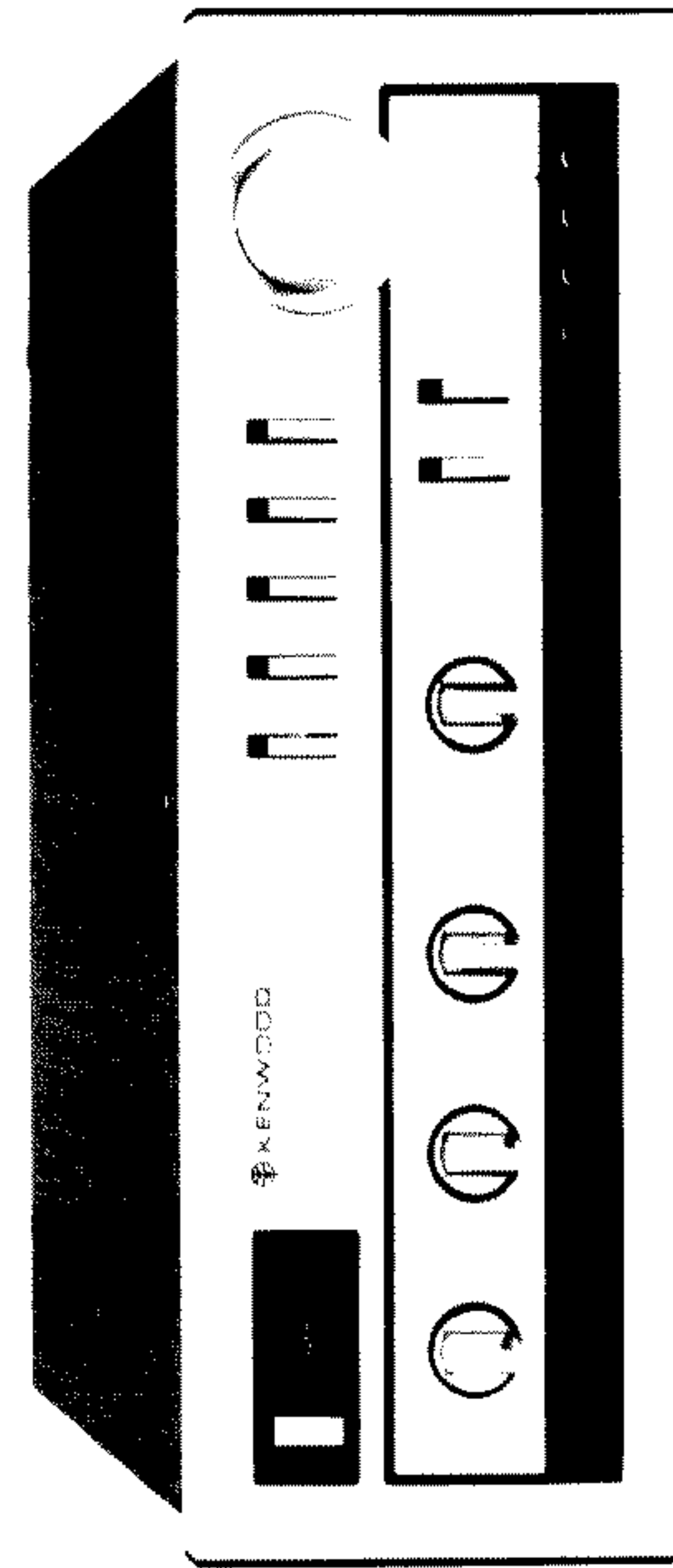


KA-400

DC STEREO INTEGRATED AMPLIFIER



Power output
45 watts* per channel minimum RMS, both channels driven, at 8 ohms from 20 Hz to 20,000 Hz with no more than 0.035% total harmonic distortion.

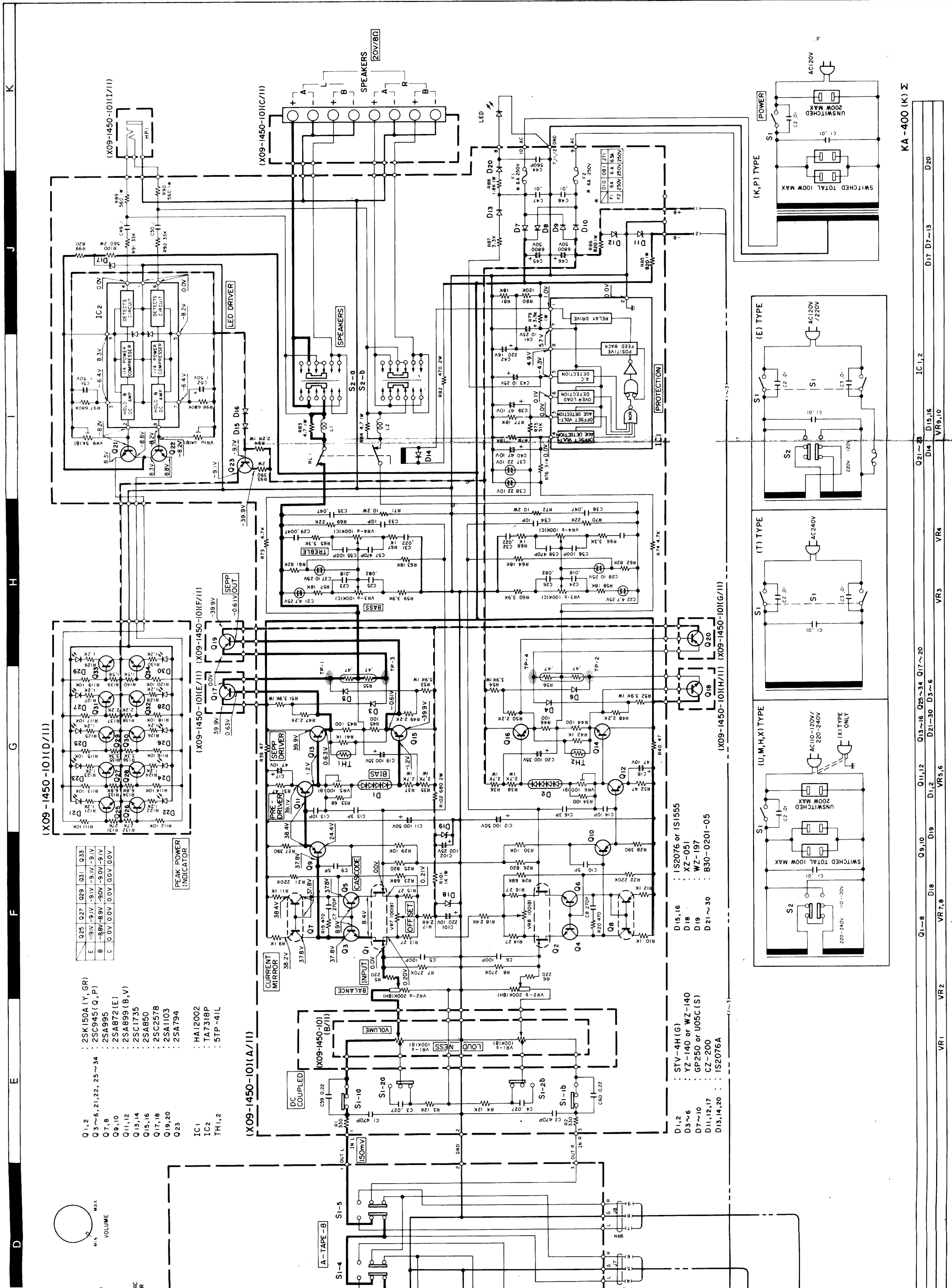
- Both Channels Driven
 - 50 - 50 watts 8 ohms at 1,000 Hz
 - 60 - 60 watts 4 ohms at 1,000 Hz
- Total Harmonic Distortion (20 Hz to 20,000 Hz)
 - 0.035% at rated power into 8 ohms
 - 0.03% at 1/2 rated power into 8 ohms
 - 0.01% at rated power with VOLUME - 20 dB
- AUX input to SPEAKER output
 - 0.035% at rated power into 8 ohms
 - 0.03% at 1/2 rated power into 8 ohms
 - 0.01% at rated power with VOLUME - 20 dB
- PHONO input to SPEAKER output at 1 MHz (60 Hz: 7 MHz = 4:1)
 - 0.005% at rated power into 8 ohms
 - 50 at 1 kHz into 8 ohms
 - 5 Hz to 55,000 Hz at 0.05% T.H.D.
 - DC to 100 kHz, -0 dB, -3 dB
- Damping Factor
 - Accept 4 ohms to 16 ohms
- Power Bandwidth
 - 2.5 mV/50 kohms
 - 150 mV/50 kohms
- Frequency Response
 - 30 mV/75 kohms
 - RIAA standard curve ± 0.4 dB (30 Hz to 15,000 Hz)
- Input Sensitivity/Impedance
 - 150 mV/50 kohms
- Tuner, AUX, Tape A, B
 - 78 dB for 2.5 mV input
 - 84 dB for 5.0 mV input
 - 90 dB for 10 mV input
 - 105 dB for 150 mV input
 - 220 mV (RMS), T.H.D. 0.05% at 1,000 Hz
- Signal to Noise Ratio (IHF A)
 - 150 mV/330 ohms
 - 30 mV/75 kohms
 - RIAA standard curve ± 0.4 dB (30 Hz to 15,000 Hz)
- Frequency Response for Phono (DIN)
 - 150 mV/330 ohms
 - 30 mV/75 kohms
 - RIAA standard curve ± 0.4 dB (30 Hz to 15,000 Hz)
- Tone Control
 - Bass ± 10 dB at 100 Hz
 - Treble ± 10 dB at 10,000 Hz
- Subsonic Filter
 - 18 Hz, 6 dB/oct.
- Loudness Control
 - +8 dB at 100 Hz (at -30 dB VOLUME Level)
- GENERAL
 - Power Consumption
 - 2.2 A (ULC and CSA)
 - 230 W (IEC)
 - 200 W (8 ohms at rated power)
 - 28.5 W (Non signal)
 - A.C. Outlet
 - Switched 2, Unswitched 1
 - Dimensions
 - W 400 mm (15.34")
 - H 139 mm (5.132")
 - D 341 mm (13.716")
 - Weight (Net)
 - 6.7 kg (14.7 lbs)

* Measured pursuant to Federal Trade Commission's Trade Regulation rule on Power Output Claims for Amplifiers in U.S.A.

Kenwood follows a policy of continuous advancements in development. For this reason specifications may be changed without notice.

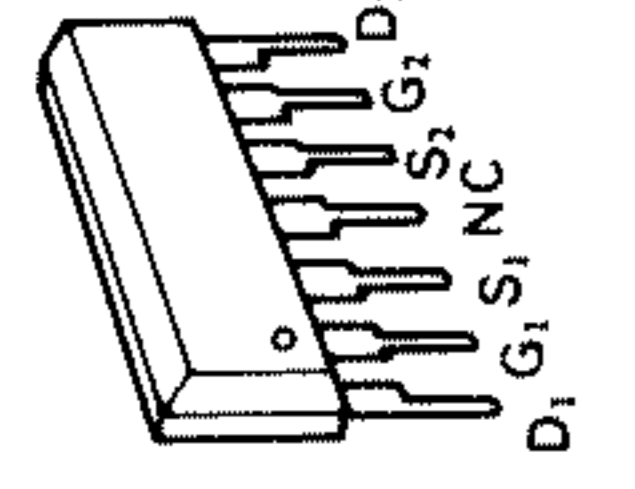
Kenwood strebt ständige Verbesserungen in der Entwicklung an. Daher bleiben Änderungen der technischen Daten jederzeit vorbehalten.

Kenwood poursuit une politique de progrès constants en ce qui concerne le développement. Pour cette raison, les spécifications sont sujettes à modifications sans préavis.

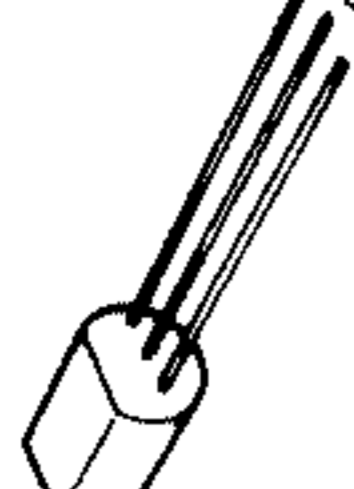


DC voltage is measured with 20 kt/V VOM under no signal.

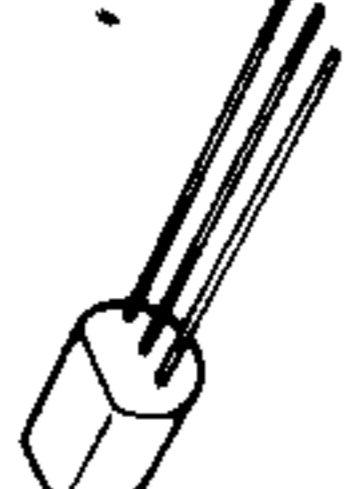
2SK150



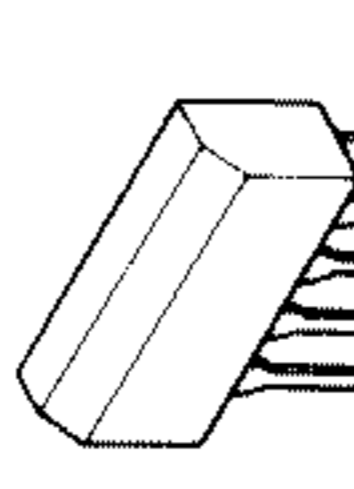
2SA872
2SC945



2SA850
2SC1735



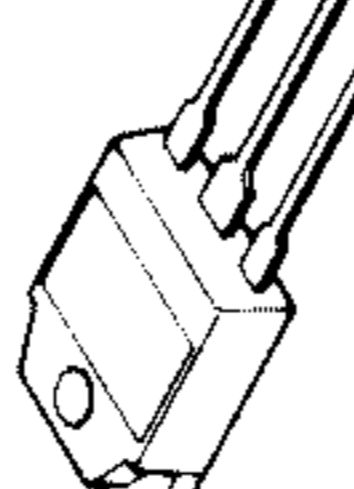
2SA995



2SA794
2SA899



2SA1103
2SC2578



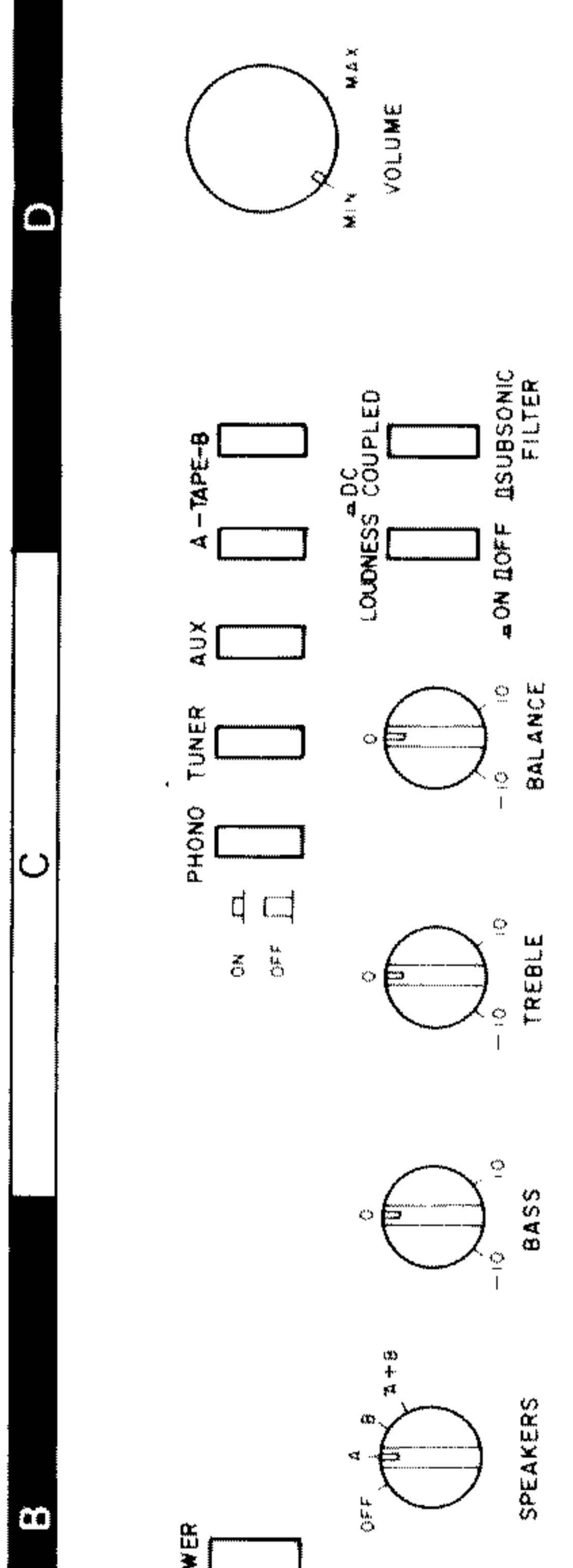
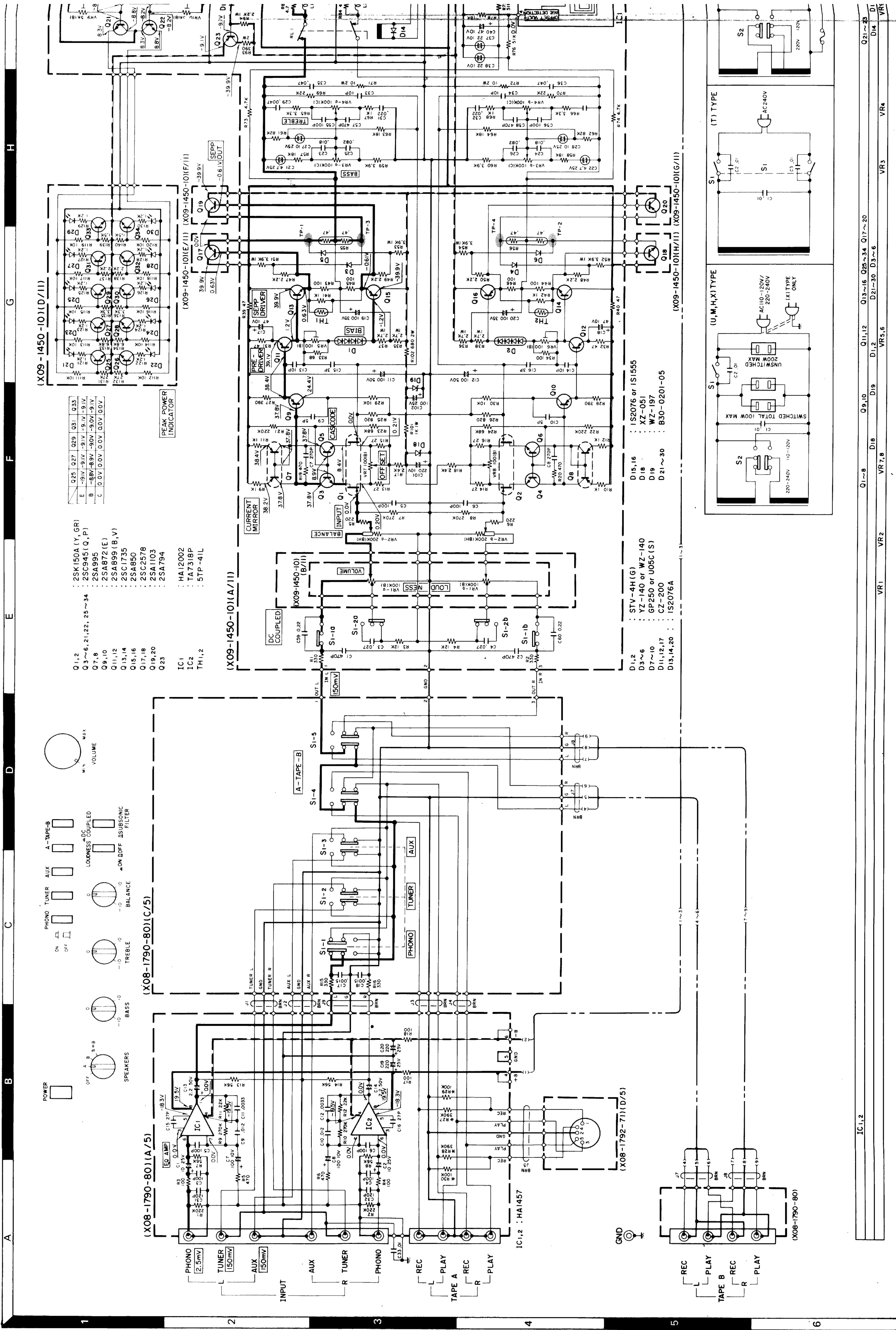
HA12002



TA7318P



HA1457

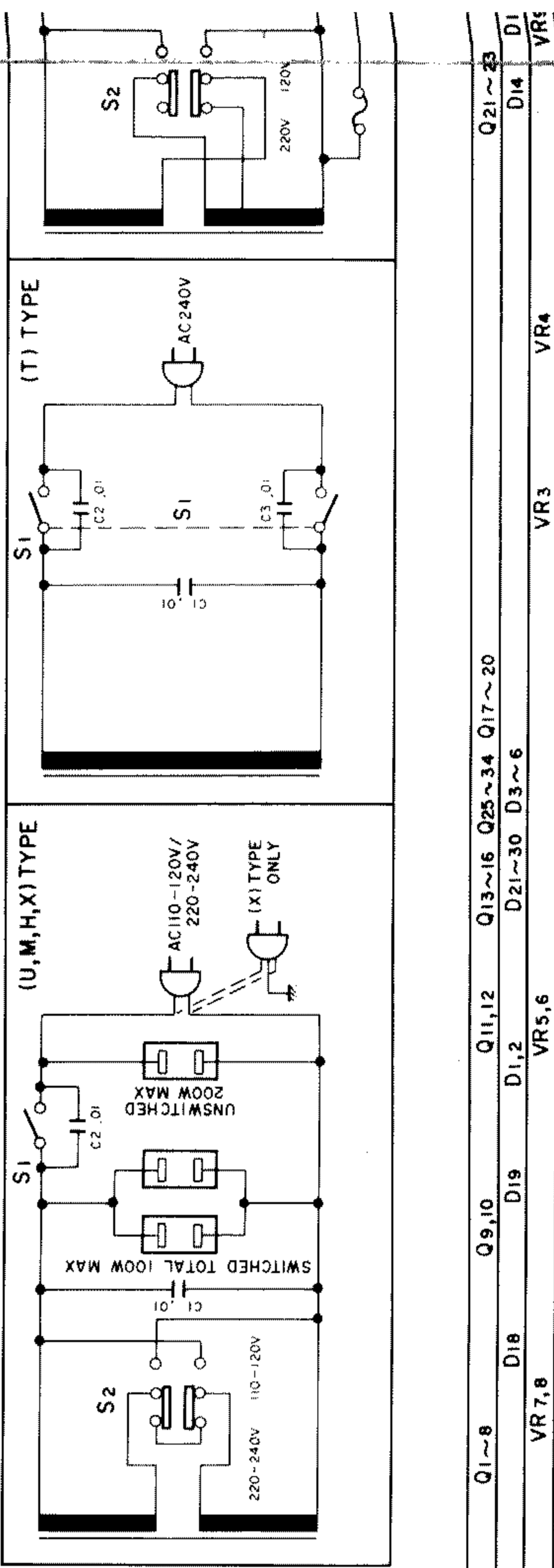


Q1,2 : 2SK150A (Y, GR)
 Q3~6, 21, 22, 25~34 : 2SC945 (O, P)
 Q7, 8 : 2SA995
 Q9, 10 : 2SA872 (E)
 Q11, 12 : 2SA899 (B, V)
 Q13, 14 : 2SC1735
 Q15, 16 : 2SA850
 Q17, 18 : 2SC2578
 Q19, 20 : 2SA1103
 Q23 : 2SA794

IC1 : HA12002
 IC2 : TA7318P
 TH1, 2 : 5TP-4IL

PEAK POWER INDICATOR

Q25	Q27	Q29	Q31	Q33
E	-9.1V	-9.1V	-9.1V	-9.1V
B	-8.9V	-8.9V	-9.0V	-9.1V
C	0.0V	0.0V	0.0V	0.0V



- D15, 16 : IS2076 or IS1555
 D18 : XZ-051
 D7~10 : GP250 or U05C (S)
 D11, 12, 17 : CZ-200
 D13, 14, 20 : IS2076A
- D1~2 : STV-4H (G)
 D3~6 : YZ-140 or WZ-140
 D7~10 : GP250 or U05C (S)
 D11, 12, 17 : CZ-200
 D13, 14, 20 : IS2076A
- D15, 16 : IS2076 or IS1555
 D18 : XZ-051
 D19 : WZ-197
 D21~30 : B30-0201-05

IC1, 2

VR1 VR2 VR3 VR4

Q1~8 Q9, 10 Q11, 12 Q13~16 Q25~34 Q17~20 Q21~23

D1, 2 D3~6 D7~10 D11, 12, 17 D13, 14, 20

D15, 16 D18 D19 D21~30

VR5, 6 VR7, 8 VR9